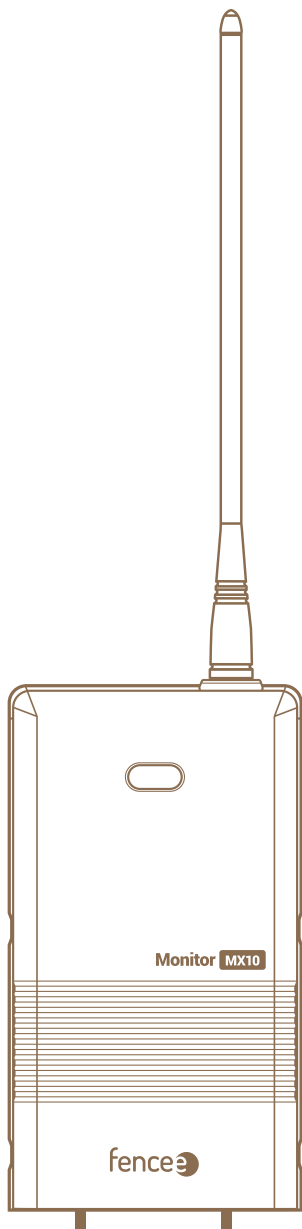


EN

User
manual



fencee Electric fencing

Monitor **MX10**

**REMOTE MONITORING
OF FENCE PARAMETERS**

WORKS ONLY WITH:

FENCE **WiFi** GATEWAY **GW100**

FENCE **GATEWAY** **GW10**

 **SMART FARMING**



RF TECHNOLOGY

Wireless RF connection with the Gateway.



IT DOES NOT NEED A SIM CARD

No additional operating costs.

www.fencee.eu
www.fenceefarm.com

+420 730 893 828



fencee Cloud
To download



Thank you for purchasing the fence📡 MX10 Monitor from VNT electronics s.r.o.

The device complies with the safety regulations according to the valid law as well as the relevant EU regulation (CE).

The device complies with the Council of Europe Directive 2014/53/EC, meets the requirements of the General License of the Czech Telecommunication Office according to the general authorization No. VO-R/10/05.2014-3, and it also complies with the below requirements of the standards and regulations applicable to this type of equipment:

2014/35/EU | 2014/30/EU | R&TTE EN300-220 a EN 61000-6-3:2007 + A1:2011

ETSI EN 301 489-1 V1.9.2 | ETSI EN 301 489-3 V1.6.1 | ETSI EN 300 220-2 V.2.4.1

ETSI EN 60950-1 ed.2:2006 /A1:2010 /A11:2009 /A12:2011 /A2:2014/Opr.1:2012 EN 62479:2010



We recommend that you read this manual carefully before using the device and keep it for future reference!

CONTENT

1	introduction	3
2	Overview of the main benefits of the Monitor	3
3	Technical parameters	3
4	Package contents	3
5	Description of the device	4
6	Description of controls	6
7	Pairing the Monitor with the Gateway	7
8	Connection with Gateway	8
9	Installing the Monitor on a fence	9
10	Troubleshooting - possible fault sources	14
11	Warranty	14



Find out all the information about the Monitor in our video.

1. INTRODUCTION

Use this device to ensure better protection of your animals and land.

Local conditions and circumstances always affect the function of the device and therefore we cannot guarantee complete protection against breach of the fence. The energizer manufacturer does not warrant that there will be no breakdown of the fence installation and does not guarantee that animals cannot run away. The installation of a fence should increase the safety of the animals in the fence system or protect the land.

Please follow the instructions for use of this device.

Important Notice

- Switch off the electric fence before carrying out any work on the energizer or fence.
- Read the Safety Instructions carefully.
- When installing, make sure that you observe all safety regulations.
- Use only original spare parts.

2. OVERVIEW OF THE MAIN BENEFITS OF THE MONITOR

- LED indication
- Audible indication
- No SIM Card required
- Magnet controlled
- Possibility of connecting an external antenna

3. TECHNICAL PARAMETERS

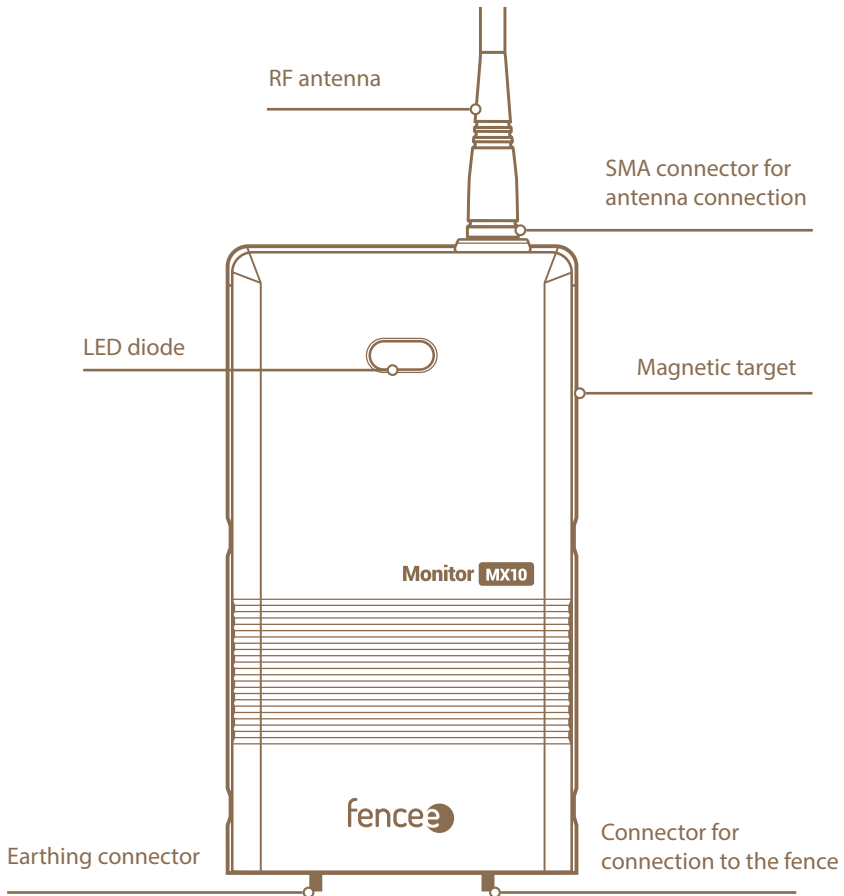
- Range with basic antenna up to 10 km (included)
- Possibility of connecting an external antenna (extension cable 2 m or 10 m - range increase up to 30 km)
- RF transmission frequency - 869.525 MHz /22 dBm
- Power battery: 2 × C-LR14
- Dimensions: 78 × 144 × 42 mm
- Weight: 370 g

4. PACKAGE CONTENTS

- MX10 Monitor
- Two C-LR14 batteries
- Magnet with a string
- Earthing pin
- Earthing cable for grounding
- Connecting cable to the fence system
- RF Antenna
- 2 pcs plastic cable tie for mounting on a post

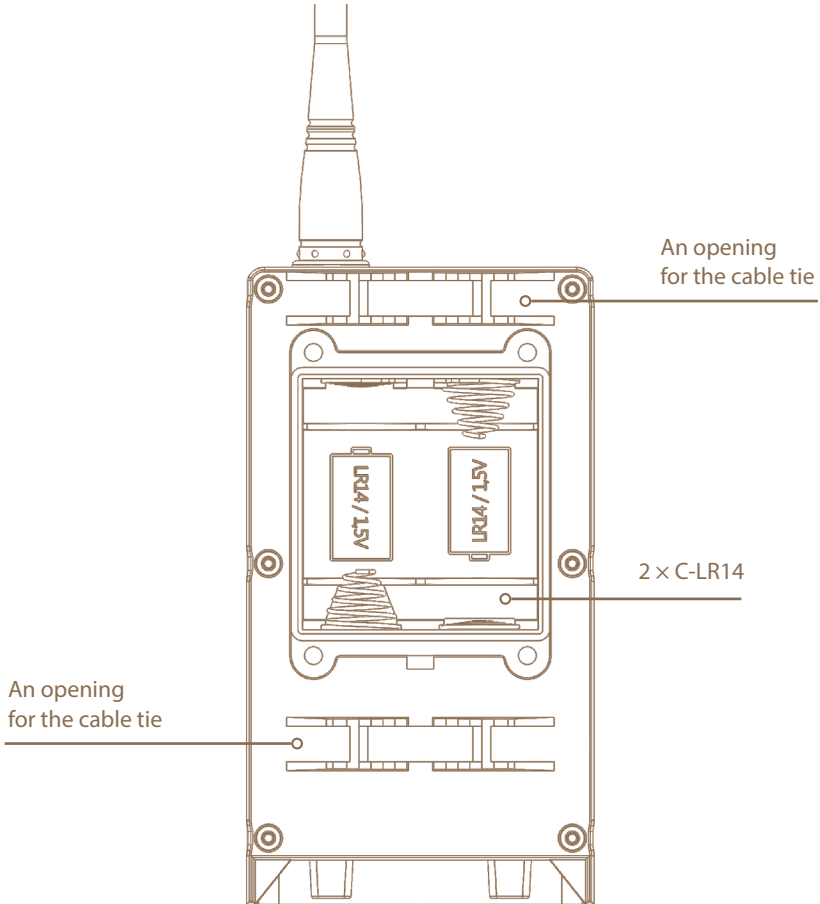
5. DESCRIPTION OF THE DEVICE

- The Monitor MX10 is used to measure voltage anywhere in your fence system.
- Up to 12 MX Control Monitors can be pair to a Gateway and divided the enclosure into multiple zones. Everything then communicates with the central Gateway and the RF energizers **fencee power DUO RF PDX** or **fencee energy DUO RF EDX** (energizer not included Monitor package)
- Using radio frequency technology, it transmits the measured data wirelessly to the central Gateway, where the values are shown on the display.
- In the event of a voltage drop at the measured point below the set limit, an alarm is sent and signalling to the Gateway immediately notifies the user of the fault.



Inserting the batteries

- Unscrew the screws and open the cover on the back of the Monitor.
- Insert two C-LR14 batteries according to the instructions in the plastic cover.
- Return the cover to its original position and tighten the screws firmly.



6. DESCRIPTION OF CONTROLS

Power supply

The Monitor is powered by two C-LR14 batteries, which must be inserted through the back cover and the correct polarity must be observed. It is recommended to install alkaline batteries for longer life. The battery status is indicated in the Gateway as a percentage. Battery life is about 1 year.

Control

The device is controlled by the included magnet, which must be attached to the target on the side of the MX10 Monitor. When the magnet approaches, the status of the Monitor is indicated by an LED diode:

Red = off

Green = on

If no LEDs light up, the batteries need to be checked and replaced.

Switching on

Place the magnet on the target for about two seconds.

The Monitor first beeps and lights up the red indicator LED. Subsequently, the Monitor will flash green and beep 3 times. The Monitor is now on and indicates its ON status by regular flashing green LED. When the Monitor is ON, it indicates its activity for a limited time of 2 minutes to save battery power.

Shutdown

By bringing the magnet closer to the target for about two seconds.

The Monitor first beeps and lights up the green indicator LED.

Then the Monitor will flash red and beep twice.

The Monitor is now turned off.

TIP:

You can check the status at any time - by bringing the magnet closer to the target for <1s. The colour of the LED indicates the status: red = off, green = on.

7. PAIRING THE MONITOR WITH THE GATEWAY

First, the MX10 Monitor must be paired with the Gateway in order to display the measured data. Pairing is performed by the following steps:

- 1 The Monitor must be turned off. The LED flashes red.
- 2 Then hold the magnet to the Monitor target for >3 s. The Monitor will flash green and red LED simultaneously. The Monitor is now in pairing mode.
- 3 Place the Monitor and Gateway next to each other, up to a maximum distance of approx. 30 cm.
- 4 Now activate the pairing mode also on the Gateway - the exact description is given in the user manual for the Gateway.
 - To select pairing, hold down the MENU button.
 - Use the arrow keys to navigate to Pairing and press the ENTER button to access the Device Manager
 - Use the arrow keys to navigate to an empty position
 - Press the ENTER button shortly to confirm the item selection
 - The correct action is confirmed by the Pairing new device information screen
- 5 Upon successful pairing, the Monitor beeps and flashes green. At the same time it also automatically shuts off so as not to trigger the alarm immediately, because it is not connected to the fence yet and has no voltage. It is displayed on the Gateway with a value of 0 kV.
- 6 The Monitor is now paired and can be installed on the fence system in the required measuring point.



The Monitor can only be paired to one Gateway - after pairing with another Gateway, the previous device will be deleted. The pairing mode ends automatically after 1 minute or it can be interrupted by applying a magnet to the target.

8. CONNECTION WITH GATEWAY

Monitor measures each pulse in the fence system and sends the values to the Gateway every 15 minutes. If a voltage lower than the set limit is measured, data is sent to the Gateway immediately and an alarm is triggered.

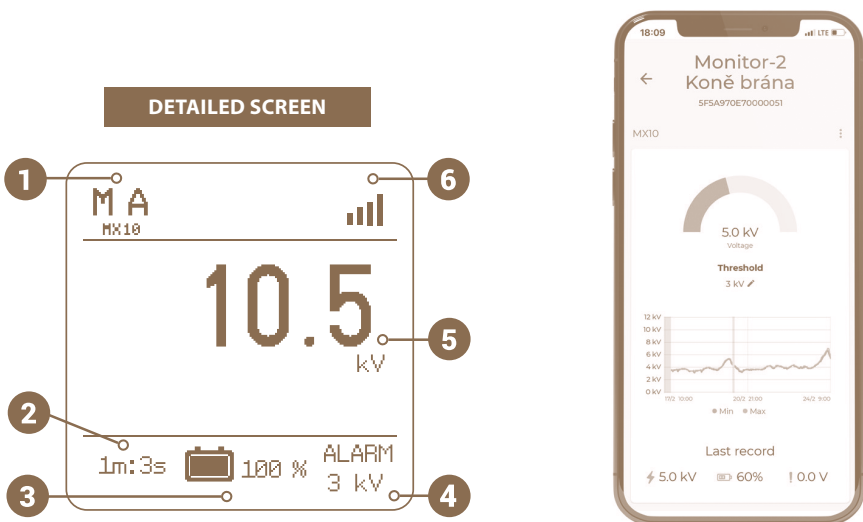
Setting the low voltage alarm level on the fence system

The 3 kV limit is set at the factory. The user can freely adjust this value in the Gateway (see instructions for the Gateway). If the alarm limit on the Gateway is changed, it will not take effect in the Monitor until the next time new data is received, i.e. in a 15 min cycle.

Low battery alarm

The Monitor's low battery is indicated on the Gateway when it drops below 10%. We recommend replacing it within 2 weeks at the latest.

Display of the paired Monitor on the Gateway and all available information about a specific device.



- 1 Type of device
- 2 Time since last data transfer
- 3 Monitor battery voltage status [%]
- 4 Current set value for triggering an alarm [kV]
- 5 Fence voltage value [kV]
- 6 Signal level between Monitor and Gateway

9. INSTALLING THE MONITOR ON A FENCE

After pairing the Monitor with the Gateway, it is possible to place the Monitor in the desired location of measurement on the fence system.

Before installation, it is necessary to turn off the energizer, in order to ensure safe handling.

We install the Monitor as shown in figure.

After installation, it is possible to turn on the energizer and turn on the Monitor.

Placement rules:

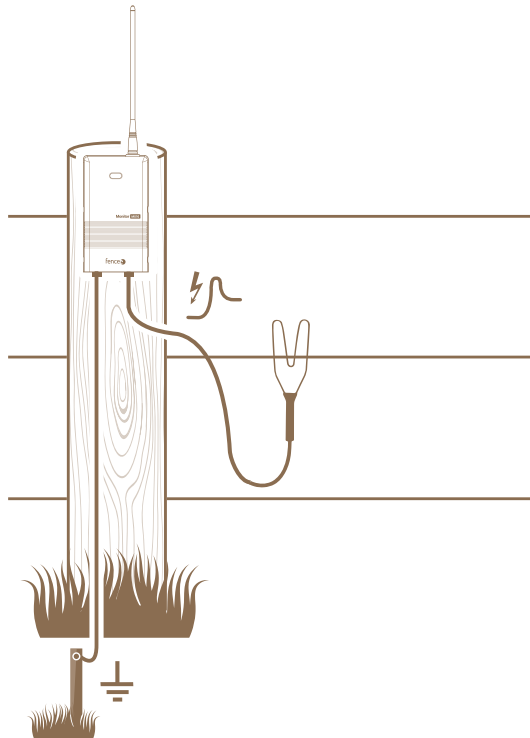
The Monitor can be installed outdoors in an fence system, it is resistant to normal weather conditions.

The Monitor can be easily installed with cable ties.

Never place the Monitor on the ground - in a humid or wet environment.

Never expose the Monitor to a continuous stream of water.

TIP: For a better signal and connection within 30 km it is possible to use an external antenna.



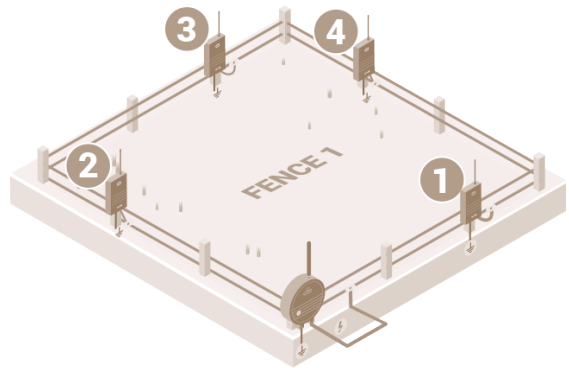
Installation examples

TIP:

Put the monitor in the key sections where voltage needs to be checked (fence entrance) or where frequent problems, for example, with vegetation, by the forest, by the water, or when disconnected fence gate, can be expected.

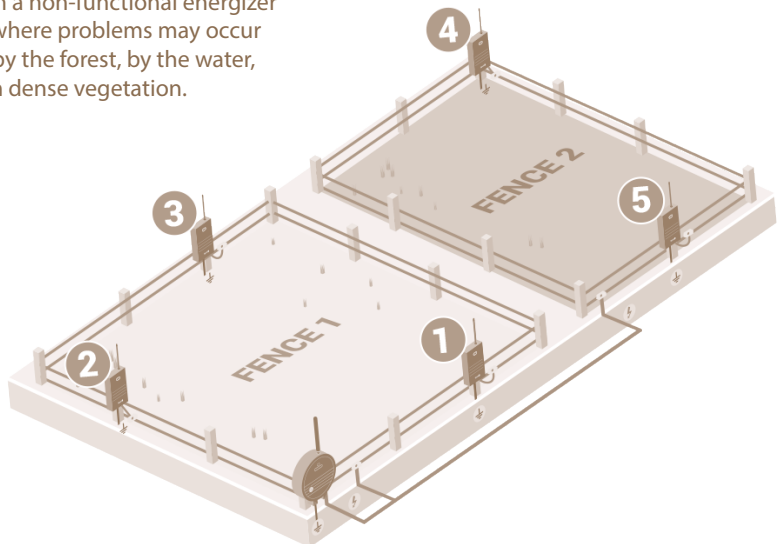
Standard installation

Fence divided into sections.
If the voltage of a monitor drops, the section and location of the problem can be easily identified.



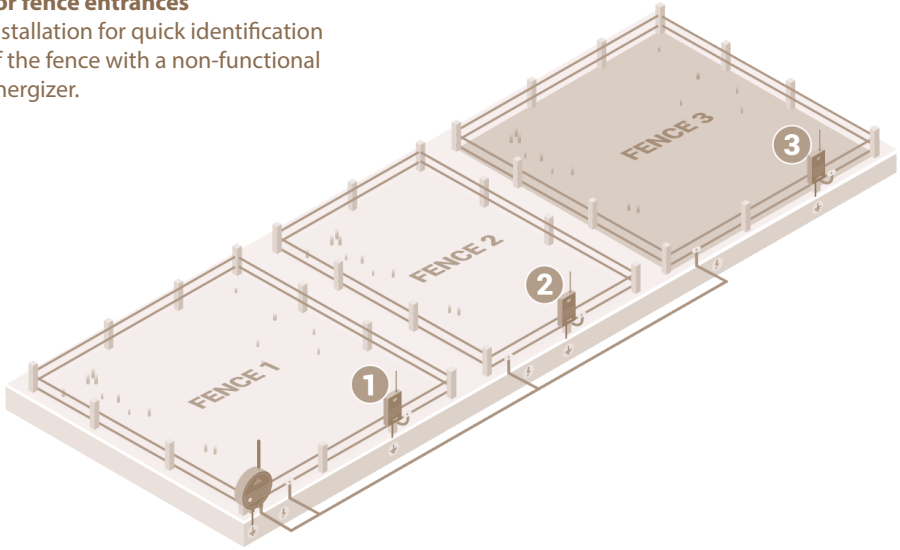
For fence entrances and in problematic locations - sections

Installation for an easy identification of the fence with a non-functional energizer or the location where problems may occur frequently, e.g. by the forest, by the water, in locations with dense vegetation.



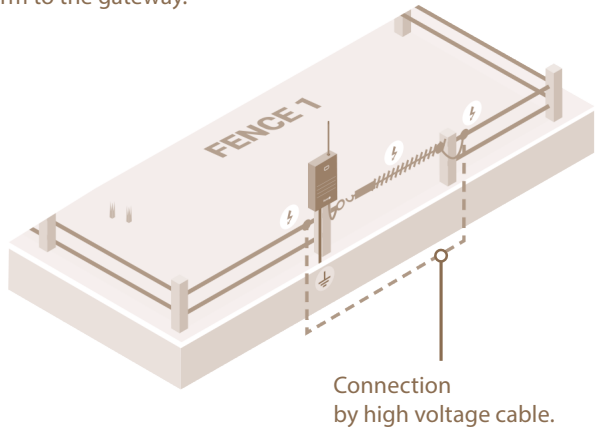
For fence entrances

Installation for quick identification of the fence with a non-functional energizer.



Control installation for closing a gate

The monitor can also be installed on the gate insulator eye. If the handle hook is disconnected and the eye lacks voltage, the monitor evaluates the situation and sends an alarm to the gateway.

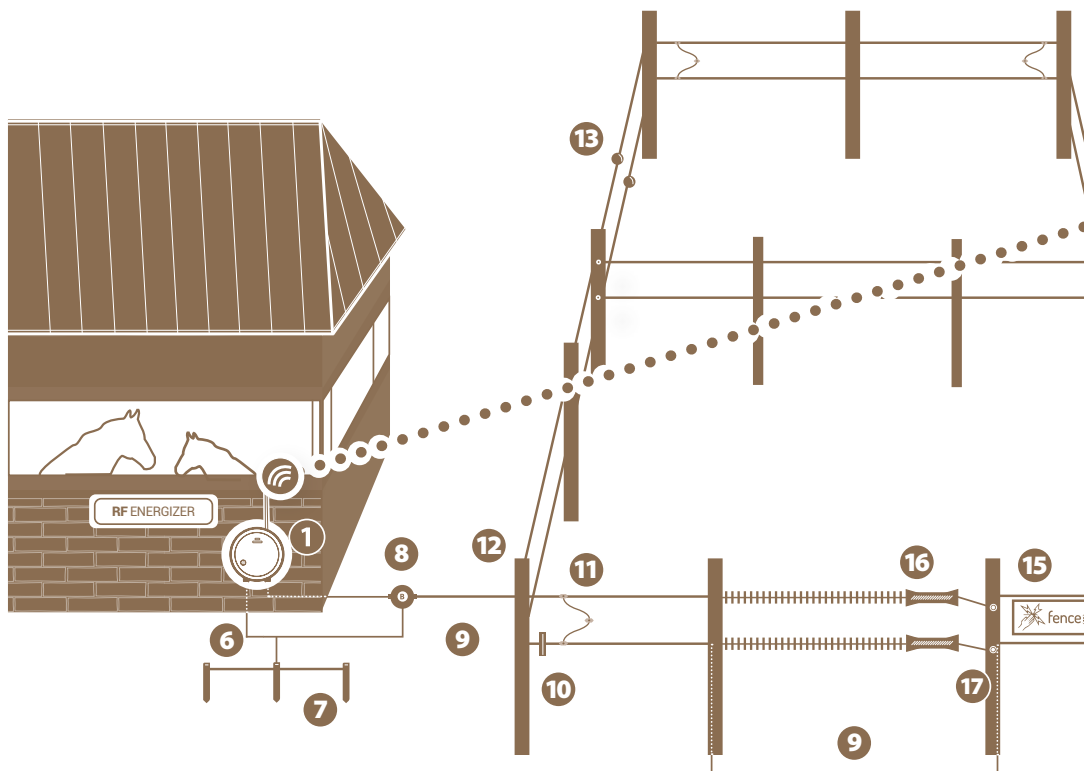


MODERN SMART FARM SYSTEM WORKS ONLY IN CONJUNCTION WITH RF ENERGIZERS:

fencee **power DUO RF PDX**
fencee **energy DUO RF EDX**

AND A CENTRAL CONTROL DEVICE:

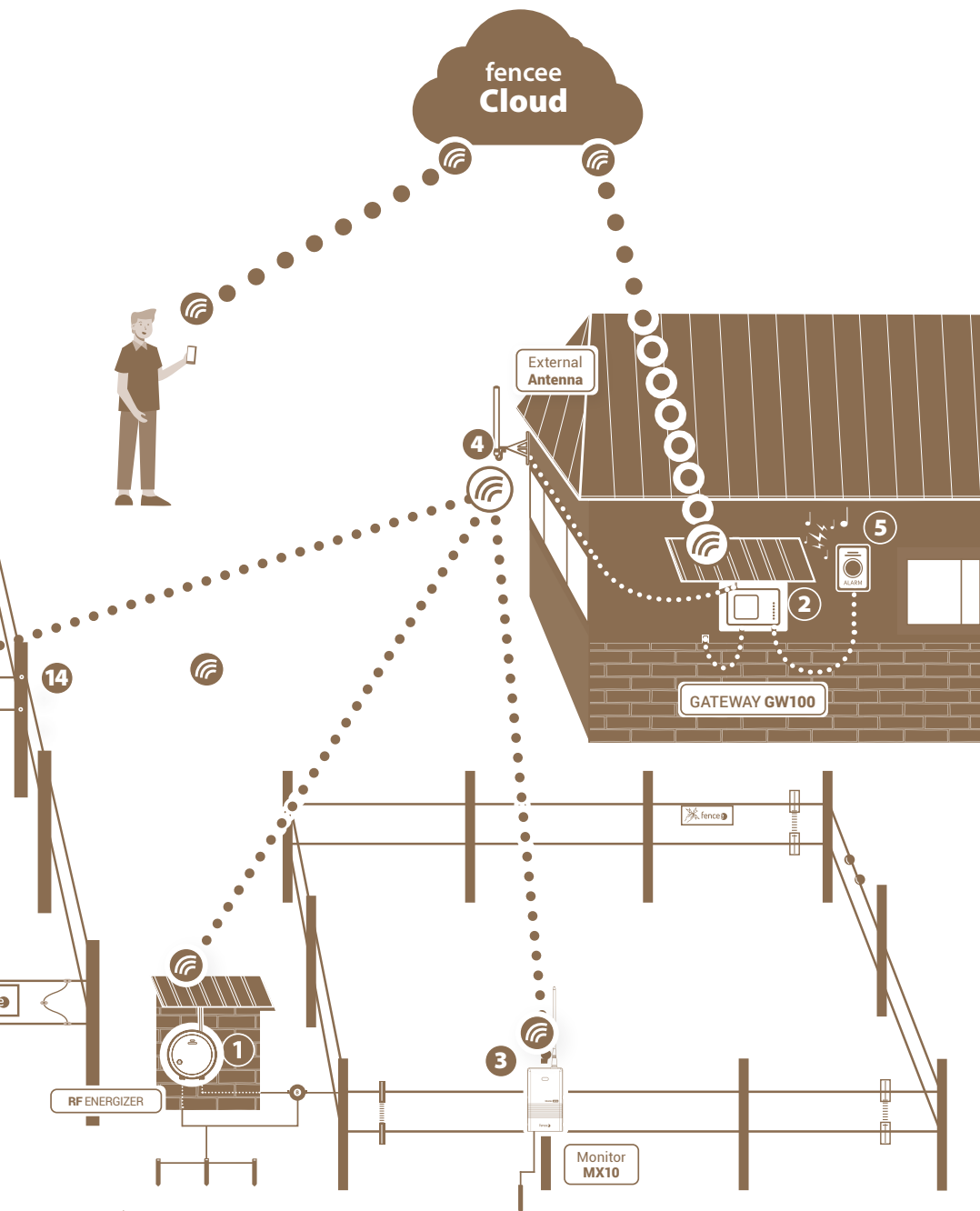
FENCE **WiFi GATEWAY GW100**
FENCE **GATEWAY GW10**



1	Energizer fencee
2	Gateway GW100
3	Monitor MX10
4	External RF antenna

5	External alarm
6	Earthing cable
7	Anticorrosive earthing rod
8	Lightning diverter

9	High-voltage connecting cable
10	Conductor
11	Line connector
12	Fixed post



13 | Tensioner

14 | Insulators

15 | Warning sign

16 | Gate handle

17 | Insulator of gate

10. TROUBLESHOOTING - POSSIBLE FAULT SOURCES

Cause	Troubleshooting
Pairing cannot be completed	The surroundings is very noisy, or the signal between the Monitor and the Gateway is too weak. Try pairing the device with antennas closer to each other or in less noisy environment.
The Monitor does not respond to the application of a magnet	Check the condition of the inserted batteries, replace if necessary.

11. WARRANTY

In addition to the statutory warranty, we provide a warranty in accordance with the following conditions:

- The warranty begins on the day of purchase. Warranty claims are recognized solely upon presentation of the receipt from the purchase of the product. Warranty repair is free, or we reserve the right to deliver similar equipment of the same value.
- The warranty is valid if used correctly according to the instructions for use. It expires if there are interventions by unauthorized persons and when using spare parts other than from the producer.
- All failures resulting from defects in materials or workmanship will be rectified at the discretion of the manufacturer either by repair or free replacement of the device.
- When delivering spare parts or providing repair, the warranty period of the original product is not extended.
- The duration of the warranty and the address of the warranty provider can be found in the enclosed user instructions for the given type of equipment.
- The warranty does not include accumulator batteries or batteries of any type, excessive damage due to overvoltage (including lightning) and damage due to battery acid spillage.

This device has a 3-year warranty period according to our warranty conditions! Safety instructions, commissioning, battery care, warranty conditions and possible sources of faults can be found in the enclosed operating instructions!

Get insights with fence Cloud

Control and monitor your fences from your mobile phone, tablet or computer.



THANKS TO THE REMOTE CONTROL,
YOU DON'T HAVE TO GO AROUND THE FENCES ANYMORE



WELL - ARRANGED
GRAPHS



CURRENT
INFO



ONLINE
ALARMS



MAP
BASE



LIST OF
DEVICE



NO
SIM CARD



VIRTUAL
FENCE



ACCESS
CONTROL



PHONE
CONTROL



Watch a video about the
app fence Cloud



fence Cloud

Free app download



fencee



20022023

Seller's stamp and signature:

fencee Electric fencing



Smart Farm fencee
Cloud System is
protected in the
EU utility model.

VNT electronics s.r.o.

Dvorská 605, 563 01 Lanškroun
Czech Republic
info@fencee.eu
+420 730 893 828



f fencee.cz @ fenceeczech

www.fencee.eu
www.fenceefarm.com
www.fenceecloud.com